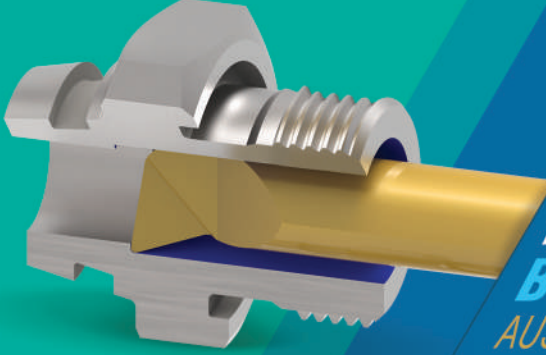
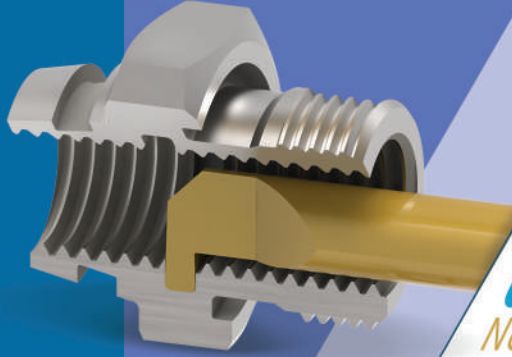


MINI CUT

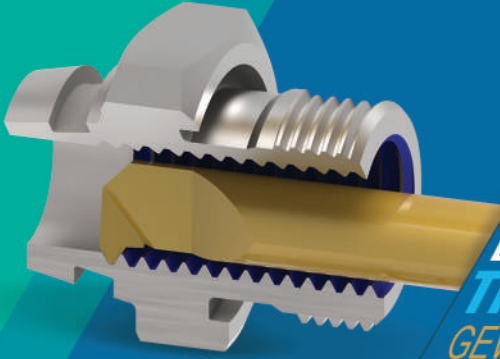
MINI CUT TUTUCU VE TAKIMLARI
MINI CUT HOLDERS AND TOOLS
MINI CUT HALTER UND WERKZEUGE



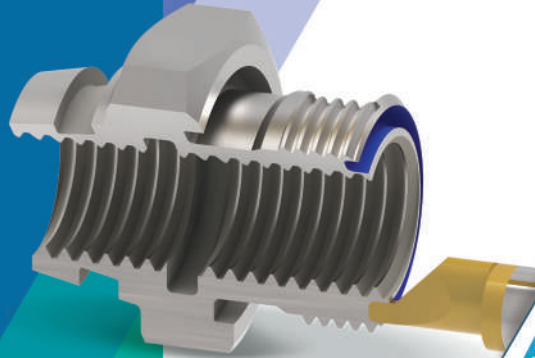
01
DELİK İÇİ TORNALAMA
BORING
AUSDREHEN



02
KANAL AÇMA
GROOVING
NUTENSTECHEN



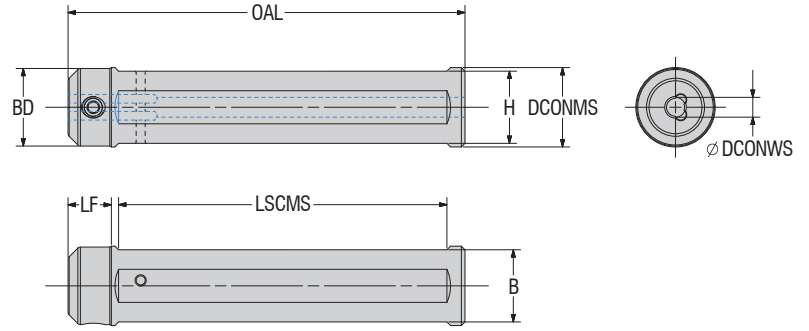
03
DIŞ AÇMA
THREADING
GEWINDEN



04
ALIN KANAL AÇMA
FACE GROOVING
AXIALSTECHEN

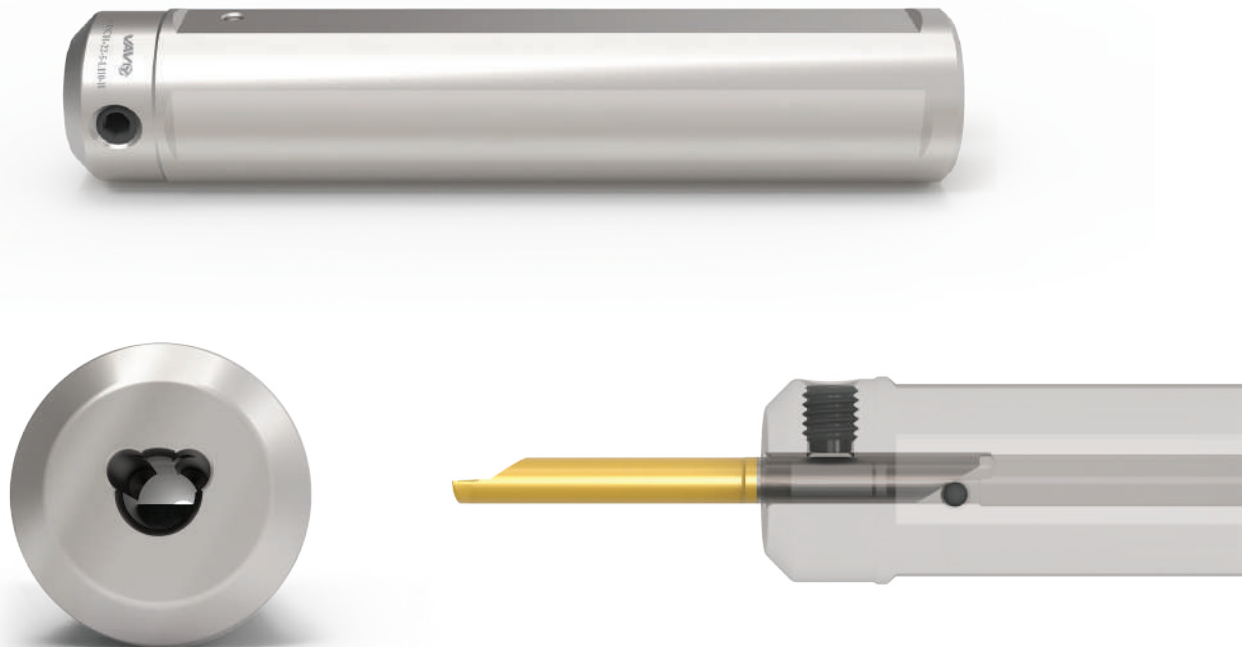


05
MINI CUT TUTUCU
MINI CUT HOLDER
MINI CUT HALTER

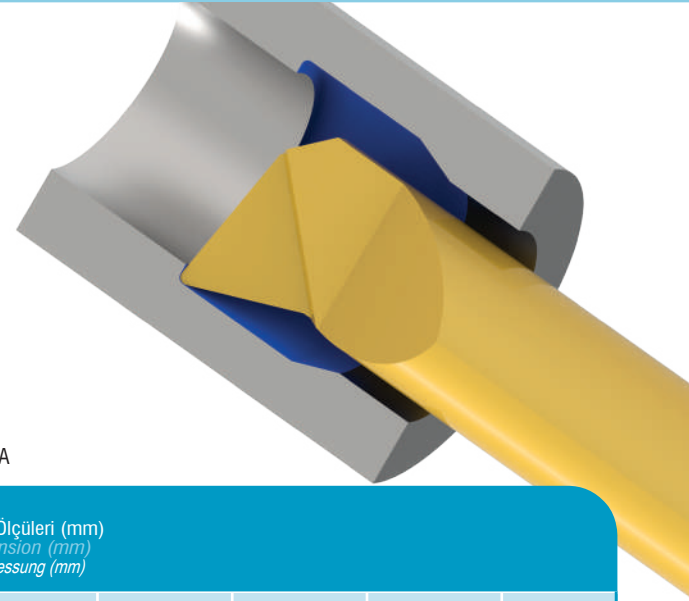
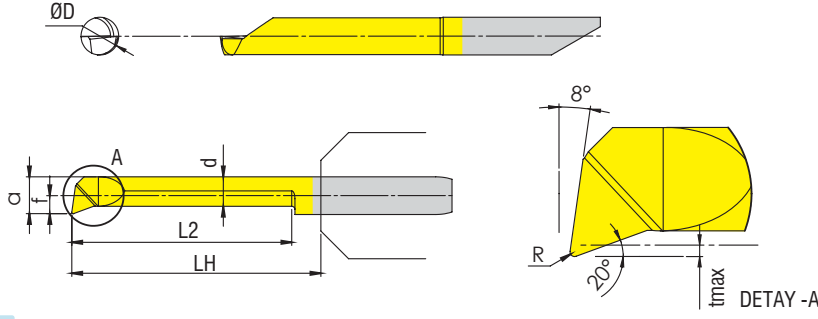


Takım Kodu Ordering Code Bestell-Bezeichnung	Stok Stock Lager	Takım Ölçüleri (mm) Dimension (mm) Abmessung (mm)							
		DCONWS	OAL	DCONMS	BD	LF	LSCMS	B	H
VPCH-16-4-L110-H	○	4	110	16	-	-	56	14.8	14.8
VPCH-16-5-L110-H	○	5	110	16	-	-	56	14.8	14.8
VPCH-16-6-L110-H	○	6	110	16	-	-	56	14.8	14.8
VPCH-16-7-L110-H	○	7	110	16	-	-	56	14.8	14.8
VPCH-20-4-L110-H	●	4	110	20	19.50	11	92	18.80	18.80
VPCH-20-5-L110-H	●	5	110	20	19.50	11	92	18.80	18.80
VPCH-20-6-L110-H	●	6	110	20	19.50	11	92	18.80	18.80
VPCH-20-7-L110-H	●	7	110	20	19.50	11	91	18.80	18.80
VPCH-22-4-L110-H	●	4	110	22	21.50	12	91	20	20
VPCH-22-5-L110-H	●	5	110	22	21.50	12	91	20	20
VPCH-22-6-L110-H	●	6	110	22	21.50	12	91	20	20
VPCH-22-7-L110-H	●	7	110	22	21.50	12	91	20	20
VPCH-25-4-L110-H	●	4	110	25	24.50	12	91	23	23
VPCH-25-5-L110-H	●	5	110	25	24.50	12	91	23	23
VPCH-25-6-L110-H	●	6	110	25	24.50	12	91	23	23
VPCH-25-7-L110-H	●	7	110	25	24.50	12	91	23	23

Sipariş Örneği/Ordering Example/Bestellbeispiel
1 ad./pcs./stück VPCH-16-4-L110-H



DELİK İÇİ MINI CUT TAKIMLAR
MINI CUT BORING / MINI CUT AUSDREHEN



Ürün Kodu
Product Code
Artikelnummer

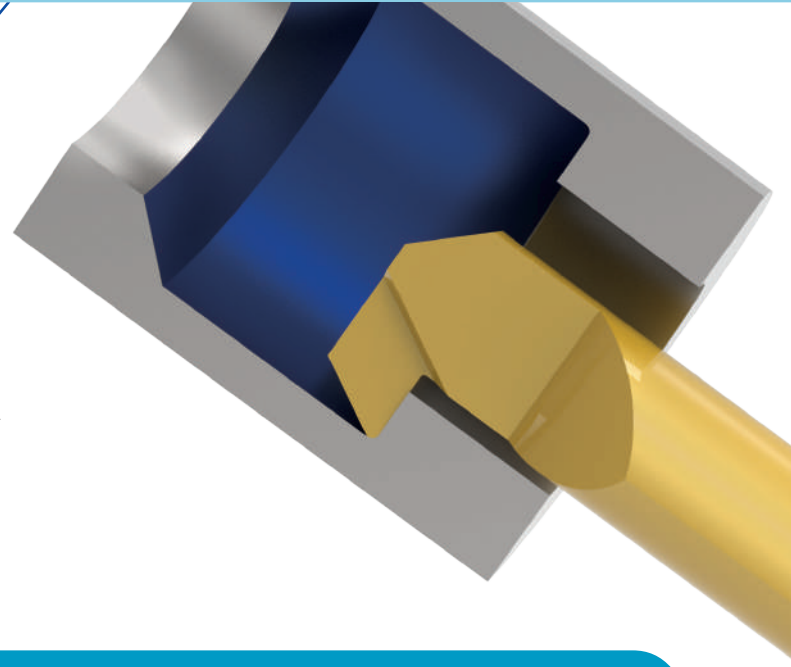
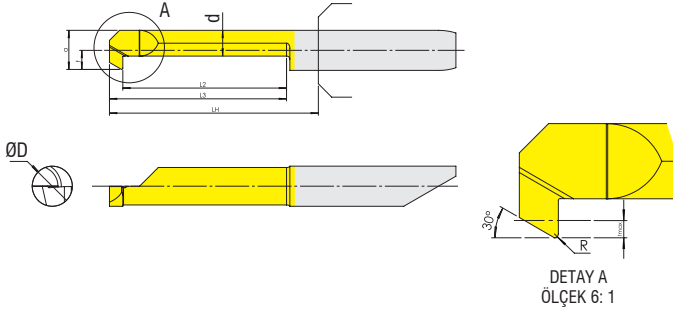
Takım Ölçüleri (mm)
Dimension (mm)
Abmessung (mm)

	L2	Ødmin	R	a	d	f	LH	tmax	ØD
new VPB04.102.015.32	10.20	3.2	0.15	2.95	2.55	1.45	13	0.2	4
new VPB04.152.015.32	15.20	3.2	0.15	2.95	2.55	1.45	18	0.2	4
new VPB04.203.015.32	20.30	3.2	0.15	2.95	2.55	1.45	23	0.2	4
new VPB04.254.015.32	25.40	3.2	0.15	2.95	2.55	1.45	28	0.2	4
new VPB04.305.015.32	30.50	3.2	0.15	2.95	2.55	1.45	33	0.2	4
new VPB04.356.015.32	35.60	3.2	0.15	2.95	2.55	1.45	38	0.2	4
VPB04.102.015	10.2	4.2	0.15	3.95	3.45	1.95	13	0.3	4
VPB04.152.015	15.20	4.2	0.15	3.95	3.45	1.95	18	0.3	4
VPB04.203.015	20.30	4.2	0.15	3.95	3.45	1.95	23	0.3	4
VPB04.254.015	25.40	4.2	0.15	3.95	3.45	1.95	28	0.3	4
VPB04.305.015	30.50	4.2	0.15	3.95	3.45	1.95	33	0.3	4
VPB04.356.015	35.60	4.2	0.15	3.95	3.45	1.95	38	0.3	4
VPB04.406.020	40.60	4.2	0.15	3.95	3.45	1.95	43	0.3	4
VPB05.102.020	10.2	5.2	0.2	4.95	4.25	2.45	13	0.5	5
VPB05.152.020	15.20	5.2	0.2	4.95	4.25	2.45	18	0.5	5
VPB05.203.020	20.30	5.2	0.2	4.95	4.25	2.45	23	0.5	5
VPB05.254.020	25.40	5.2	0.2	4.95	4.25	2.45	28	0.5	5
VPB05.305.020	30.50	5.2	0.2	4.95	4.25	2.45	33	0.5	5
VPB05.356.020	35.60	5.2	0.2	4.95	4.25	2.45	38	0.5	5
VPB05.406.020	40.60	5.2	0.2	4.95	4.25	2.45	43	0.5	5
VPB06.102.020	10.2	6.2	0.2	5.95	5.25	2.95	13	0.5	6
VPB06.152.020	15.20	6.2	0.2	5.95	5.25	2.95	18	0.5	6
VPB06.203.020	20.30	6.2	0.2	5.95	5.25	2.95	23	0.5	6
VPB06.254.020	25.40	6.2	0.2	5.95	5.25	2.95	28	0.5	6
VPB06.305.020	30.50	6.2	0.2	5.95	5.25	2.95	33	0.5	6
VPB06.356.020	35.60	6.2	0.2	5.95	5.25	2.95	38	0.5	6
VPB06.406.020	40.60	6.2	0.2	5.95	5.25	2.95	43	0.5	6
VPB06.508.020	50.80	6.2	0.2	5.95	5.25	2.95	53	0.5	6
VPB07.254.020	25.40	7.2	0.2	6.95	6.25	3.45	28	0.5	7
VPB07.305.020	30.50	7.2	0.2	6.95	6.25	3.45	33	0.5	7
VPB07.356.020	35.60	7.2	0.2	6.95	6.25	3.45	38	0.5	7
VPB07.406.020	40.60	7.2	0.2	6.95	6.25	3.45	43	0.5	7
VPB07.508.020	50.80	7.2	0.2	6.95	6.25	3.45	53	0.5	7
VPB07.608.020	60.80	7.2	0.2	6.95	6.25	3.45	63	0.5	7



TERS TORNALAMA MINI CUT TAKIMLAR

MINI CUT BACK BORING /
MINI CUT ZURÜCK BOHRUNGE



Ürün Kodu
Product Code
Artikelnummer

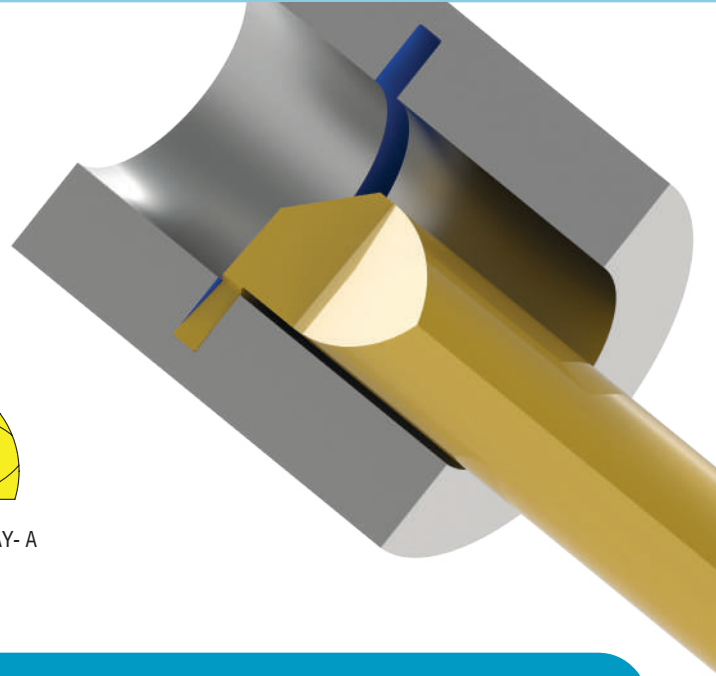
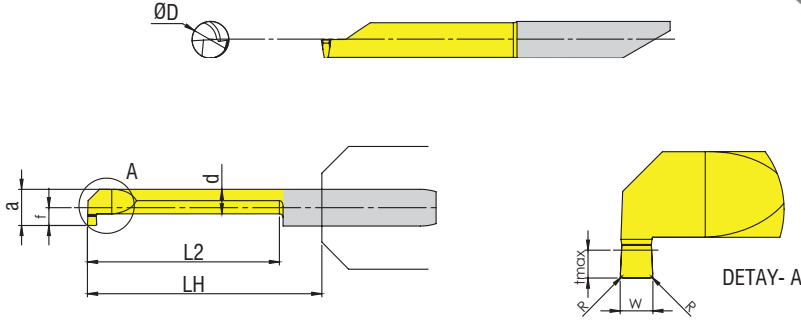
Takım Ölçüleri (mm)
Dimension (mm)
Abmessung (mm)

	L2	L3	Ødmin	R	a	d	f	LH	tmax	ØD
VPBB04.152.010.32	13.2	15.20	3.2	0.1	2.95	2.3	1.45	18	0.5	4
VPBB04.203.010.32	18.3	20.30	3.2	0.1	2.95	2.3	1.45	23	0.5	4
VPBB04.152.015.42	13.2	15.20	4.2	0.15	3.95	2.5	1.95	18	0.8	4
VPBB04.254.015.42	23.4	25.40	4.2	0.15	3.95	2.5	1.95	28	0.8	4
VPBB05.203.020.52	18.3	20.30	5.2	0.2	4.95	3.8	2.45	23	1	5
VPBB05.305.020.52	28.5	30.50	5.2	0.2	4.95	3.8	2.45	33	1	5
VPBB06.203.020.62	18.3	20.30	6.2	0.2	5.95	3.8	2.95	23	1.8	6
VPBB06.305.020.62	28.5	30.50	6.2	0.2	5.95	3.8	2.95	33	1.8	6
VPBB07.203.020.72	17.3	20.30	7.2	0.2	6.95	4.25	3.45	23	2.5	7
VPBB07.305.020.72	27.5	30.50	7.2	0.2	6.95	4.25	3.45	33	2.5	7

Sipariş Örneği/Ordering Example/Bestellbeispiel
1 ad./pcs./stück VPBB04.152.010.32

KANAL AÇMA MINI CUT TAKIMLAR

MINI CUT GROOVING / MINI CUT NUTENSTECHEN



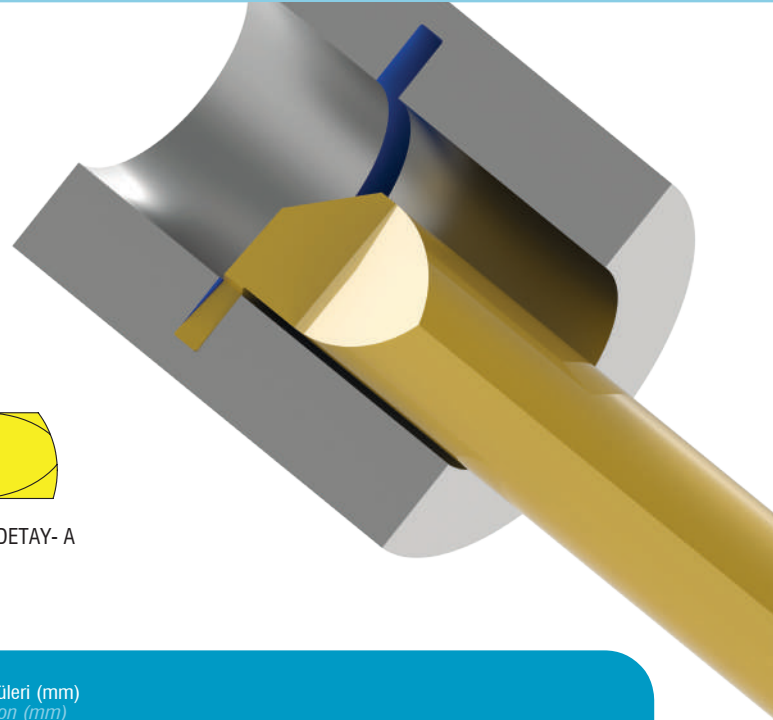
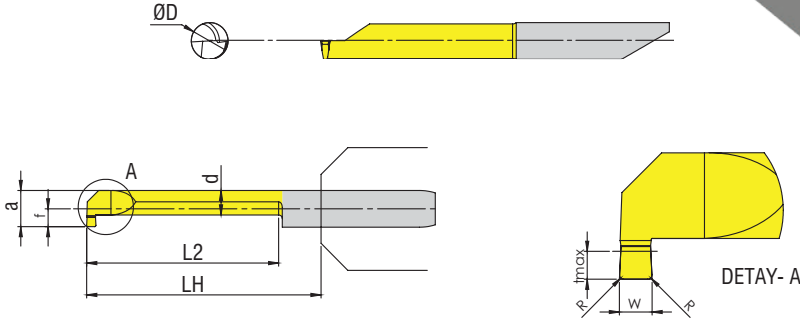
Ürün Kodu
Product Code
Artikelnummer

Takım Ölçüleri (mm)
Dimension (mm)
Abmessung (mm)

	W	L2	Ødmin	R	a	d	f	LH	tmax	ØD
VPG04.080.102	0.8	10.2	4.2	0.15	3.95	2.95	1.95	13	0.8	4
VPG04.080.152	0.8	15.2	4.2	0.15	3.95	2.95	1.95	18	0.8	4
VPG04.080.203	0.8	20.3	4.2	0.15	3.95	2.95	1.95	23	0.8	4
VPG04.080.254	0.8	25.4	4.2	0.15	3.95	2.95	1.95	28	0.8	4
VPG04.100.102	1.0	10.2	4.2	0.2	3.95	2.95	1.95	13	0.8	4
VPG04.100.152	1.0	15.2	4.2	0.2	3.95	2.95	1.95	18	0.8	4
VPG04.100.203	1.0	20.3	4.2	0.2	3.95	2.95	1.95	23	0.8	4
VPG05.079.102	0.79	10.2	5.2	0.2	4.95	3.75	2.45	13	1.0	5
VPG05.079.152	0.79	15.2	5.2	0.2	4.95	3.75	2.45	18	1.0	5
VPG05.079.203	0.79	20.3	5.2	0.2	4.95	3.75	2.45	23	1.0	5
VPG05.079.254	0.79	25.4	5.2	0.2	4.95	3.75	2.45	28	1.0	5
VPG05.079.305	0.79	30.5	5.2	0.2	4.95	3.75	2.45	33	1.0	5
VPG05.079.356	0.79	35.6	5.2	0.2	4.95	3.75	2.45	38	1.0	5
VPG05.100.102	1.0	10.2	5.2	0.2	4.95	3.75	2.45	13	1.0	5
VPG05.100.152	1.0	15.2	5.2	0.2	4.95	3.75	2.45	18	1.0	5
VPG05.100.203	1.0	20.3	5.2	0.2	4.95	3.75	2.45	23	1.0	5
VPG05.100.254	1.0	25.4	5.2	0.2	4.95	3.75	2.45	28	1.0	5
VPG05.100.305	1.0	30.5	5.2	0.2	4.95	3.75	2.45	33	1.0	5
VPG05.100.356	1.0	35.6	5.2	0.2	4.95	3.75	2.45	38	1.0	5

Sipariş Örneği/Ordering Example/Bestellbeispiel
1 ad./pcs./stück VPG04.080.102

KANAL AÇMA MİNİ CUT TAKIMLAR
MINI CUT GROOVING / MINI CUT NUTENSTECHE



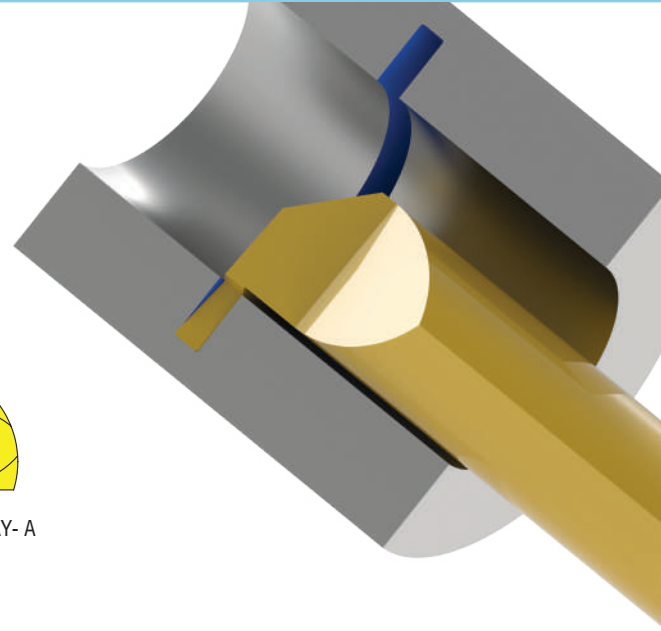
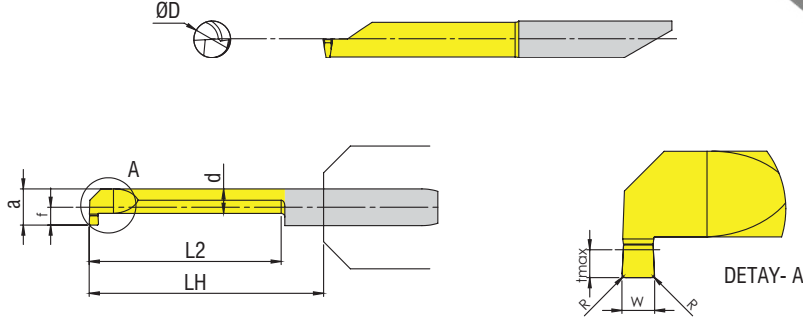
Ürün Kodu
Product Code
Artikelnummer

Takım Ölçüleri (mm)
Dimension (mm)
Abmessung (mm)

	W	L2	Ødmin	R	a	d	f	LH	tmax	ØD
VPG05.117.102	1.17	10.2	5.2	0.2	4.95	3.75	2.45	13	1.0	5
VPG05.117.152	1.17	15.2	5.2	0.2	4.95	3.75	2.45	18	1.0	5
VPG05.117.203	1.17	20.3	5.2	0.2	4.95	3.75	2.45	23	1.0	5
VPG05.117.254	1.17	25.4	5.2	0.2	4.95	3.75	2.45	28	1.0	5
VPG05.117.305	1.17	30.5	5.2	0.2	4.95	3.75	2.45	33	1.0	5
VPG05.117.356	1.17	35.6	5.2	0.2	4.95	3.75	2.45	38	1.0	5
VPG05.150.102	1.5	10.2	5.2	0.2	4.95	3.75	2.45	13	1.0	5
VPG05.150.152	1.5	15.2	5.2	0.2	4.95	3.75	2.45	18	1.0	5
VPG05.150.203	1.5	20.3	5.2	0.2	4.95	3.75	2.45	23	1.0	5
VPG05.150.254	1.5	25.4	5.2	0.2	4.95	3.75	2.45	28	1.0	5
VPG05.150.305	1.5	30.5	5.2	0.2	4.95	3.75	2.45	33	1.0	5
VPG05.150.356	1.5	35.6	5.2	0.2	4.95	3.75	2.45	38	1.0	5
VPG05.157.102	1.57	10.2	5.2	0.2	4.95	3.75	2.45	13	1.0	5
VPG05.157.152	1.57	15.2	5.2	0.2	4.95	3.75	2.45	18	1.0	5
VPG05.157.203	1.57	20.3	5.2	0.2	4.95	3.75	2.45	23	1.0	5
VPG05.157.254	1.57	25.4	5.2	0.2	4.95	3.75	2.45	28	1.0	5
VPG05.157.305	1.57	30.5	5.2	0.2	4.95	3.75	2.45	33	1.0	5

Sipariş Örneği/Ordering Example/Bestellbeispiel
1 ad./pcs./stück VPG05.117.102

KANAL AÇMA MİNİ CUT TAKIMLAR
MINI CUT GROOVING / MINI CUT NUTENSTECHEN



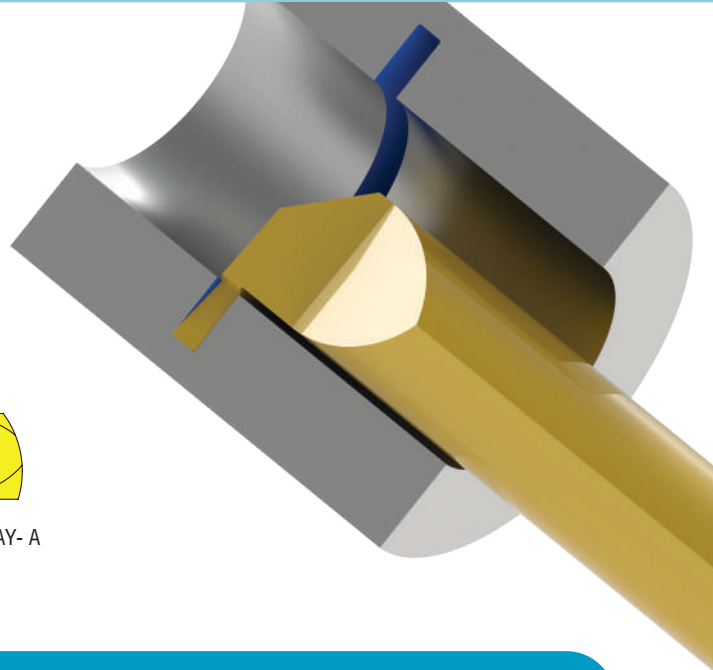
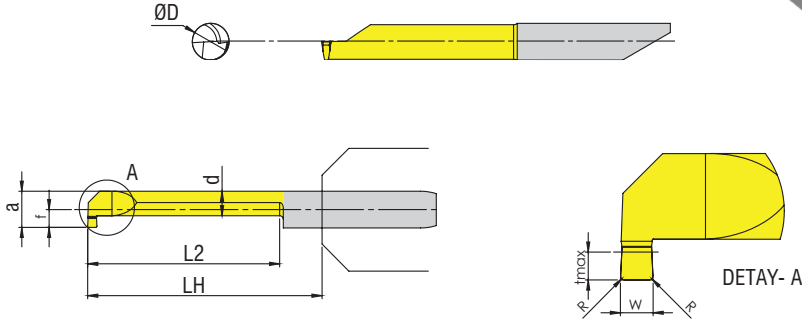
Ürün Kodu
Product Code
Artikelnummer

Takım Ölçüleri (mm)
Dimension (mm)
Abmessung (mm)

	W	L2	Ødmin	R	a	d	f	LH	tmax	ØD
VPG05.198.102	1.98	10.2	5.2	0.2	4.95	3.75	2.45	13	1.0	5
VPG05.198.152	1.98	15.2	5.2	0.2	4.95	3.75	2.45	18	1.0	5
VPG05.198.203	1.98	20.3	5.2	0.2	4.95	3.75	2.45	23	1.0	5
VPG05.198.254	1.98	25.4	5.2	0.2	4.95	3.75	2.45	28	1.0	5
VPG05.198.305	1.98	30.5	5.2	0.2	4.95	3.75	2.45	33	1.0	5
VPG05.200.102	2.0	10.2	5.2	0.2	4.95	3.75	2.45	13	1.0	5
VPG05.200.152	2.0	15.2	5.2	0.2	4.95	3.75	2.45	18	1.0	5
VPG05.200.203	2.0	20.3	5.2	0.2	4.95	3.75	2.45	23	1.0	5
VPG05.200.254	2.0	25.4	5.2	0.2	4.95	3.75	2.45	28	1.0	5
VPG05.200.305	2.0	30.5	5.2	0.2	4.95	3.75	2.45	33	1.0	5
VPG06.079.102	0.79	10.2	6.2	0.2	5.95	3.95	2.95	13	1.8	6
VPG06.079.152	0.79	15.2	6.2	0.2	5.95	3.95	2.95	18	1.8	6
VPG06.079.203	0.79	20.3	6.2	0.2	5.95	3.95	2.95	23	1.8	6
VPG06.079.254	0.79	25.4	6.2	0.2	5.95	3.95	2.95	28	1.8	6
VPG06.079.305	0.79	30.5	6.2	0.2	5.95	3.95	2.95	33	1.8	6
VPG06.079.356	0.79	35.6	6.2	0.2	5.95	3.95	2.95	38	1.8	6

Sipariş Örneği/Ordering Example/Bestellbeispiel
1 ad./pcs./stück VPG05.198.102

KANAL AÇMA MINI CUT TAKIMLAR
MINI CUT GROOVING / MINI CUT NUTENSTECHEN



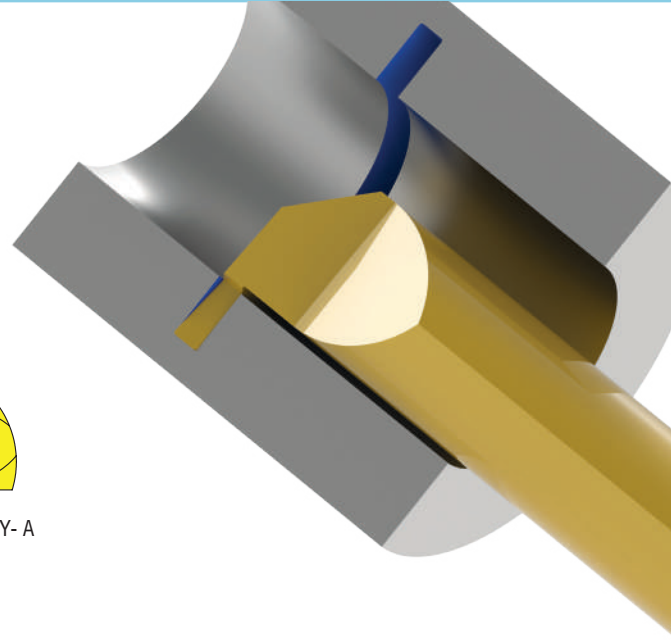
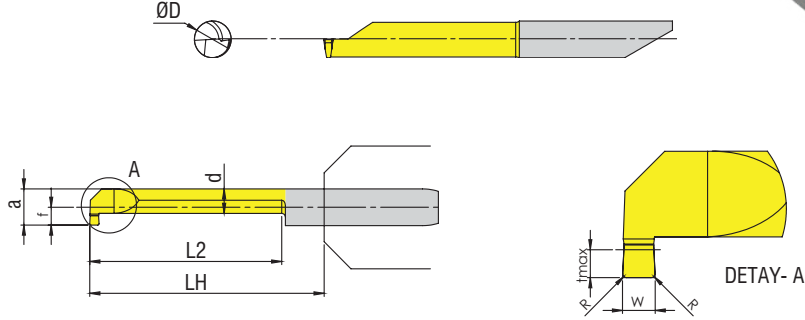
Ürün Kodu
Product Code
Artikelnummer

Takım Ölçüleri (mm)
Dimension (mm)
Abmessung (mm)

	W	L2	Ødmin	R	a	d	f	LH	tmax	ØD
VPG06.100.102	1.0	10.2	6.2	0.2	5.95	3.95	2.95	13	1.8	6
VPG06.100.152	1.0	15.2	6.2	0.2	5.95	3.95	2.95	18	1.8	6
VPG06.100.203	1.0	20.3	6.2	0.2	5.95	3.95	2.95	23	1.8	6
VPG06.100.254	1.0	25.4	6.2	0.2	5.95	3.95	2.95	28	1.8	6
VPG06.100.305	1.0	30.5	6.2	0.2	5.95	3.95	2.95	33	1.8	6
VPG06.100.356	1.0	35.6	6.2	0.2	5.95	3.95	2.95	38	1.8	6
VPG06.100.406	1.0	40.6	6.2	0.2	5.95	3.95	2.95	43	1.8	6
VPG06.117.102	1.17	10.2	6.2	0.2	5.95	3.95	2.95	13	1.8	6
VPG06.117.152	1.17	15.2	6.2	0.2	5.95	3.95	2.95	18	1.8	6
VPG06.117.203	1.17	20.3	6.2	0.2	5.95	3.95	2.95	23	1.8	6
VPG06.117.254	1.17	25.4	6.2	0.2	5.95	3.95	2.95	28	1.8	6
VPG06.117.305	1.17	30.5	6.2	0.2	5.95	3.95	2.95	33	1.8	6
VPG06.117.356	1.17	35.6	6.2	0.2	5.95	3.95	2.95	38	1.8	6
VPG06.117.406	1.17	40.6	6.2	0.2	5.95	3.95	2.95	43	1.8	6
VPG06.150.102	1.5	10.2	6.2	0.2	5.95	3.95	2.95	13	1.8	6
VPG06.150.152	1.5	15.2	6.2	0.2	5.95	3.95	2.95	18	1.8	6
VPG06.150.203	1.5	20.3	6.2	0.2	5.95	3.95	2.95	23	1.8	6
VPG06.150.254	1.5	25.4	6.2	0.2	5.95	3.95	2.95	28	1.8	6
VPG06.150.305	1.5	30.5	6.2	0.2	5.95	3.95	2.95	33	1.8	6
VPG06.150.356	1.5	35.6	6.2	0.2	5.95	3.95	2.95	38	1.8	6

Sipariş Örneği/Ordering Example/Bestellbeispiel
1 ad./pcs./stück VPG06.100.102

KANAL AÇMA MINI CUT TAKIMLAR
MINI CUT GROOVING / MINI CUT NUTENSTECHEN



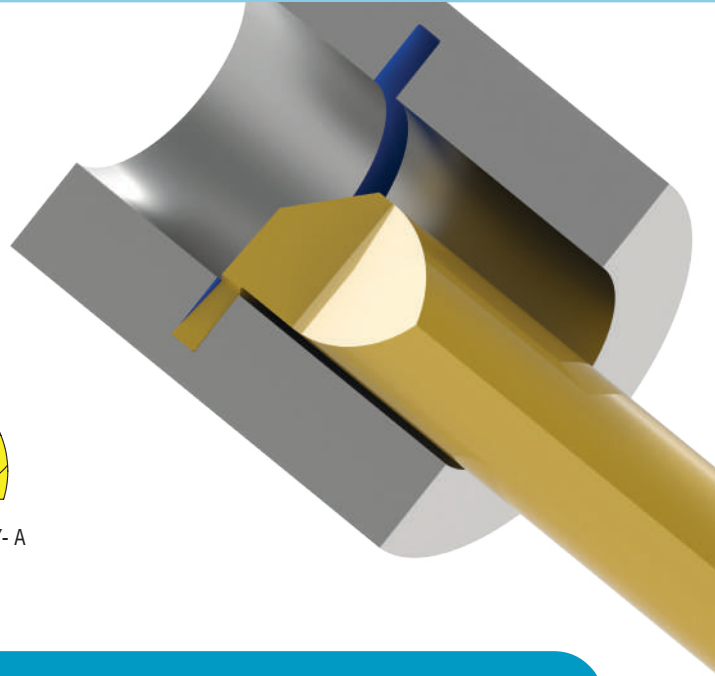
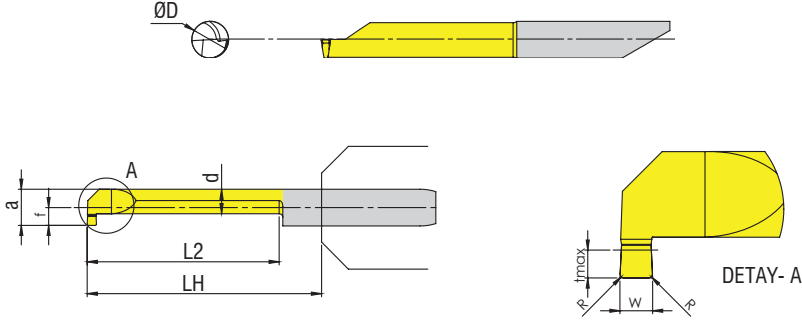
Ürün Kodu
Product Code
Artikelnummer

Takım Ölçüleri (mm)
Dimension (mm)
Abmessung (mm)

	W	L2	Ødmin	R	a	d	f	LH	tmax	ØD
VPG06.157.102	1.57	10.2	6.2	0.2	5.95	3.95	2.95	13	1.8	6
VPG06.157.152	1.57	15.2	6.2	0.2	5.95	3.95	2.95	18	1.8	6
VPG06.157.203	1.57	20.3	6.2	0.2	5.95	3.95	2.95	23	1.8	6
VPG06.157.254	1.57	25.4	6.2	0.2	5.95	3.95	2.95	28	1.8	6
VPG06.157.305	1.57	30.5	6.2	0.2	5.95	3.95	2.95	33	1.8	6
VPG06.157.356	1.57	35.6	6.2	0.2	5.95	3.95	2.95	38	1.8	6
VPG06.157.406	1.57	40.6	6.2	0.2	5.95	3.95	2.95	43	1.8	6
VPG06.198.102	1.98	10.2	6.2	0.2	5.95	3.95	2.95	13	1.8	6
VPG06.198.152	1.98	15.2	6.2	0.2	5.95	3.95	2.95	18	1.8	6
VPG06.198.203	1.98	20.3	6.2	0.2	5.95	3.95	2.95	23	1.8	6
VPG06.198.254	1.98	25.4	6.2	0.2	5.95	3.95	2.95	28	1.8	6
VPG06.198.305	1.98	30.5	6.2	0.2	5.95	3.95	2.95	33	1.8	6
VPG06.198.356	1.98	35.6	6.2	0.2	5.95	3.95	2.95	38	1.8	6
VPG06.198.406	1.98	40.6	6.2	0.2	5.95	3.95	2.95	43	1.8	6
VPG06.200.102	2.0	10.2	6.2	0.2	5.95	3.95	2.95	13	1.8	6
VPG06.200.152	2.0	15.2	6.2	0.2	5.95	3.95	2.95	18	1.8	6
VPG06.200.203	2.0	20.3	6.2	0.2	5.95	3.95	2.95	23	1.8	6
VPG06.200.254	2.0	25.4	6.2	0.2	5.95	3.95	2.95	28	1.8	6
VPG06.200.305	2.0	30.5	6.2	0.2	5.95	3.95	2.95	33	1.8	6
VPG06.200.356	2.0	35.6	6.2	0.2	5.95	3.95	2.95	38	1.8	6

Sipariş Örneği/Ordering Example/Bestellbeispiel
1 ad./pcs./stück VPG06.157.102

KANAL AÇMA MINI CUT TAKIMLAR
MINI CUT GROOVING / MINI CUT NUTENSTECHEN



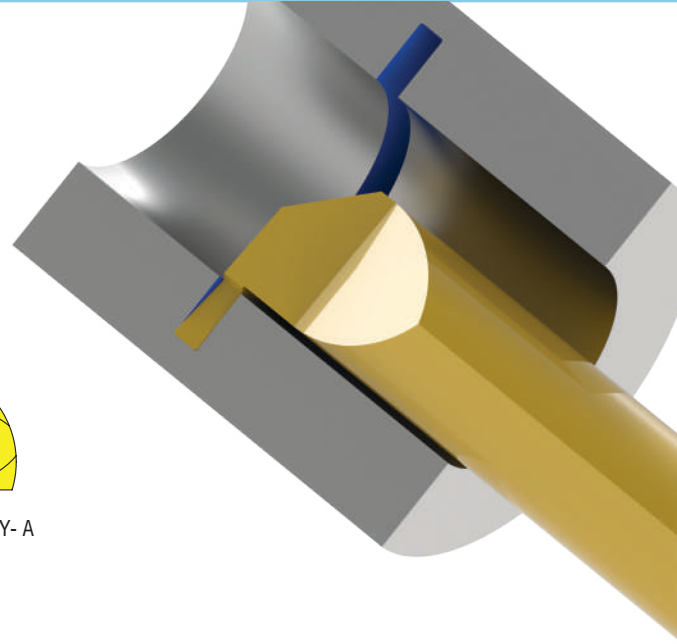
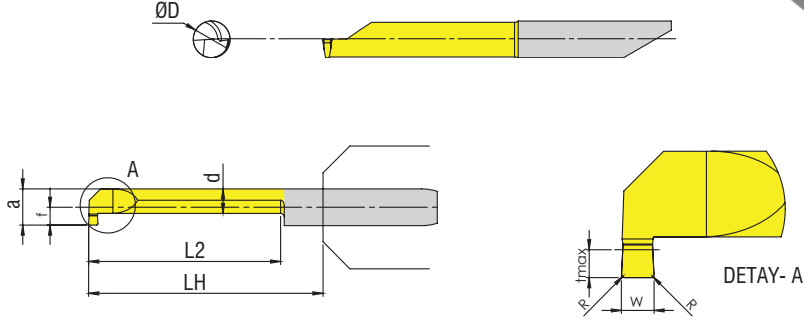
Ürün Kodu
Product Code
Artikelnummer

Takım Ölçüleri (mm)
Dimension (mm)
Abmessung (mm)

	W	L2	Ødmin	R	a	d	f	LH	tmax	ØD
VPG07.079.102	0.79	10.2	7.2	0.2	6.95	4.25	3.45	13	2.5	7
VPG07.079.152	0.79	15.2	7.2	0.2	6.95	4.25	3.45	18	2.5	7
VPG07.079.203	0.79	20.3	7.2	0.2	6.95	4.25	3.45	23	2.5	7
VPG07.079.254	0.79	25.4	7.2	0.2	6.95	4.25	3.45	28	2.5	7
VPG07.079.305	0.79	30.5	7.2	0.2	6.95	4.25	3.45	33	2.5	7
VPG07.079.356	0.79	35.6	7.2	0.2	6.95	4.25	3.45	38	2.5	7
VPG07.079.406	0.79	40.6	7.2	0.2	6.95	4.25	3.45	43	2.5	7
VPG07.100.102	1.0	10.2	7.2	0.2	6.95	4.25	3.45	13	2.5	7
VPG07.100.152	1.0	15.2	7.2	0.2	6.95	4.25	3.45	18	2.5	7
VPG07.100.203	1.0	20.3	7.2	0.2	6.95	4.25	3.45	23	2.5	7
VPG07.100.254	1.0	25.4	7.2	0.2	6.95	4.25	3.45	28	2.5	7
VPG07.100.305	1.0	30.5	7.2	0.2	6.95	4.25	3.45	33	2.5	7
VPG07.100.356	1.0	35.6	7.2	0.2	6.95	4.25	3.45	38	2.5	7
VPG07.100.406	1.0	40.6	7.2	0.2	6.95	4.25	3.45	43	2.5	7
VPG07.117.102	1.17	10.2	7.2	0.2	6.95	4.25	3.45	13	2.5	7
VPG07.117.152	1.17	15.2	7.2	0.2	6.95	4.25	3.45	18	2.5	7
VPG07.117.203	1.17	20.3	7.2	0.2	6.95	4.25	3.45	23	2.5	7
VPG07.117.254	1.17	25.4	7.2	0.2	6.95	4.25	3.45	28	2.5	7
VPG07.117.305	1.17	30.5	7.2	0.2	6.95	4.25	3.45	33	2.5	7
VPG07.117.356	1.17	35.6	7.2	0.2	6.95	4.25	3.45	38	2.5	7
VPG07.117.406	1.17	40.6	7.2	0.2	6.95	4.25	3.45	43	2.5	7

Sipariş Örneği/Ordering Example/Bestellbeispiel
1 ad./pcs./stück VPG07.079.102

KANAL AÇMA MINI CUT TAKIMLAR
MINI CUT GROOVING / MINI CUT NUTENSTECHEN



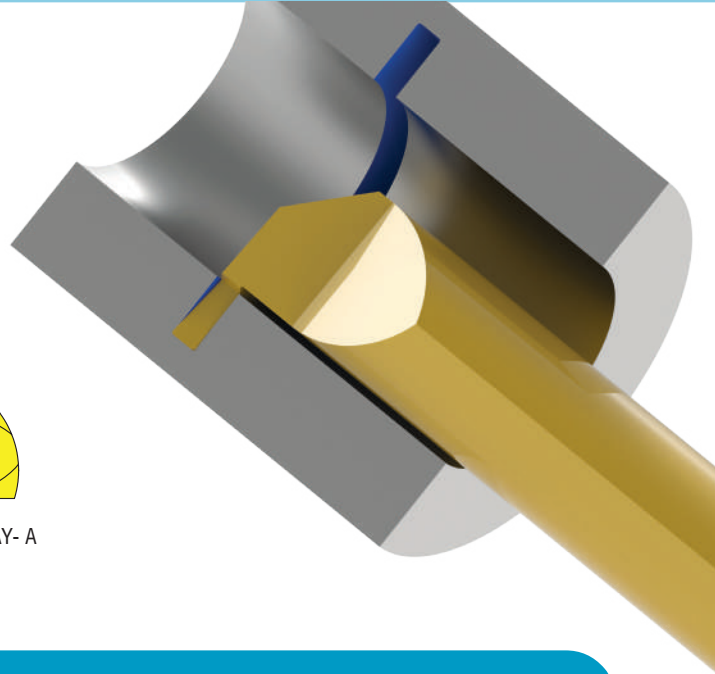
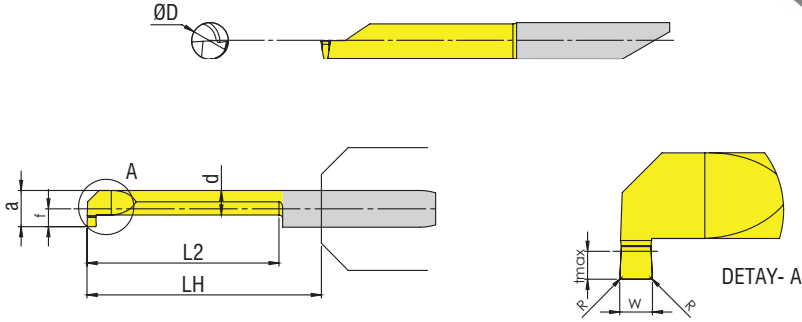
Ürün Kodu
Product Code
Artikelnummer

Takım Ölçüleri (mm)
Dimension (mm)
Abmessung (mm)

	W	L2	Ødmin	R	a	d	f	LH	tmax	ØD
VPG07.150.102	1.5	10,2	7.2	0.2	6.95	4.25	3.45	13	2.5	7
VPG07.150.152	1.5	15.2	7.2	0.2	6.95	4.25	3.45	18	2.5	7
VPG07.150.203	1.5	20.3	7.2	0.2	6.95	4.25	3.45	23	2.5	7
VPG07.150.254	1.5	25.4	7.2	0.2	6.95	4.25	3.45	28	2.5	7
VPG07.150.305	1.5	30.5	7.2	0.2	6.95	4.25	3.45	33	2.5	7
VPG07.150.356	1.5	35.6	7.2	0.2	6.95	4.25	3.45	38	2.5	7
VPG07.150.406	1.5	40,6	7.2	0.2	6.95	4.25	3.45	43	2.5	7
VPG07.157.102	1.57	10,2	7.2	0.2	6.95	4.25	3.45	13	2.5	7
VPG07.157.152	1.57	15.2	7.2	0.2	6.95	4.25	3.45	18	2.5	7
VPG07.157.203	1.57	20.3	7.2	0.2	6.95	4.25	3.45	23	2.5	7
VPG07.157.254	1.57	25.4	7.2	0.2	6.95	4.25	3.45	28	2.5	7
VPG07.157.305	1.57	30.5	7.2	0.2	6.95	4.25	3.45	33	2.5	7
VPG07.157.356	1.57	35.6	7.2	0.2	6.95	4.25	3.45	38	2.5	7
VPG07.157.406	1.57	40,6	7.2	0.2	6.95	4.25	3.45	43	2.5	7
VPG07.198.102	1.98	10,2	7.2	0.2	6.95	4.25	3.45	13	2.5	7
VPG07.198.152	1.98	15.2	7.2	0.2	6.95	4.25	3.45	18	2.5	7
VPG07.198.203	1.98	20.3	7.2	0.2	6.95	4.25	3.45	23	2.5	7
VPG07.198.254	1.98	25.4	7.2	0.2	6.95	4.25	3.45	28	2.5	7
VPG07.198.305	1.98	30.5	7.2	0.2	6.95	4.25	3.45	33	2.5	7
VPG07.198.356	1.98	35.6	7.2	0.2	6.95	4.25	3.45	38	2.5	7

Sipariş Örneği/Ordering Example/Bestellbeispiel
1 ad./pcs./stück VPG07.150.102

KANAL AÇMA MINI CUT TAKIMLAR
MINI CUT GROOVING / MINI CUT NUTENSTECHEN



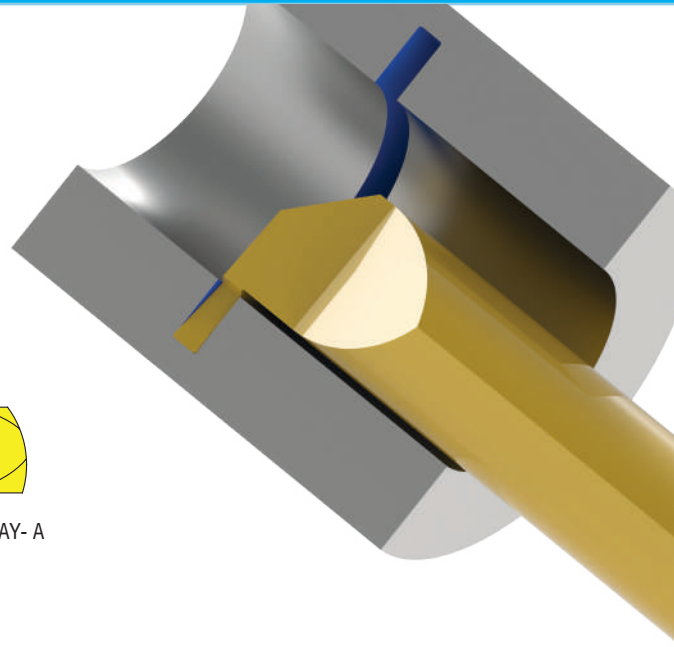
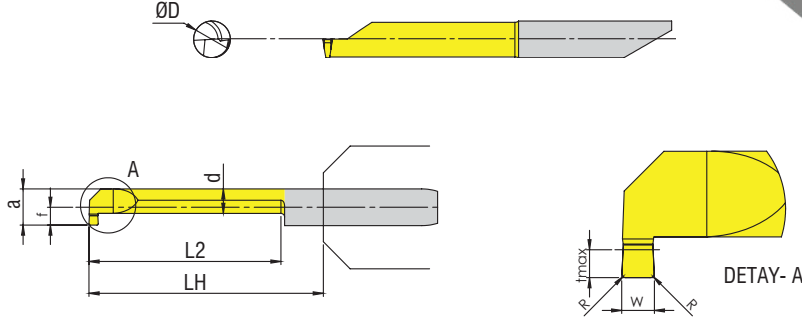
Ürün Kodu
Product Code
Artikelnummer

Takım Ölçüleri (mm)
Dimension (mm)
Abmessung (mm)

	W	L2	Ødmin	R	a	d	f	LH	tmax	ØD
VPG07.200.102	2.0	10.2	7.2	0.2	6.95	4.25	3.45	13	2.5	7
VPG07.200.152	2.0	15.2	7.2	0.2	6.95	4.25	3.45	18	2.5	7
VPG07.200.203	2.0	20.3	7.2	0.2	6.95	4.25	3.45	23	2.5	7
VPG07.200.254	2.0	25.4	7.2	0.2	6.95	4.25	3.45	28	2.5	7
VPG07.200.305	2.0	30.5	7.2	0.2	6.95	4.25	3.45	33	2.5	7
VPG07.200.356	2.0	35.6	7.2	0.2	6.95	4.25	3.45	38	2.5	7
VPG10.100.305	1.0	30.5	10.5	0.2	9.95	5.45	4.95	33.0	4.0	10
VPG10.100.508	1.0	50.8	10.5	0.2	9.95	5.45	4.95	53.0	4.0	10
VPG10.200.305	2.0	30.5	10.5	0.2	9.95	5.45	4.95	33.0	4.0	10
VPG10.200.508	2.0	50.8	10.5	0.2	9.95	5.45	4.95	53.0	4.0	10
VPG10.300.305	3.0	30.5	10.5	0.2	9.95	5.45	4.95	33.0	4.0	10
VPG10.300.508	3.0	50.8	10.5	0.2	9.95	5.45	4.95	53.0	4.0	10

Sipariş Örneği/Ordering Example/Bestellbeispiel
1 ad./pcs./stück VPG07.200.102

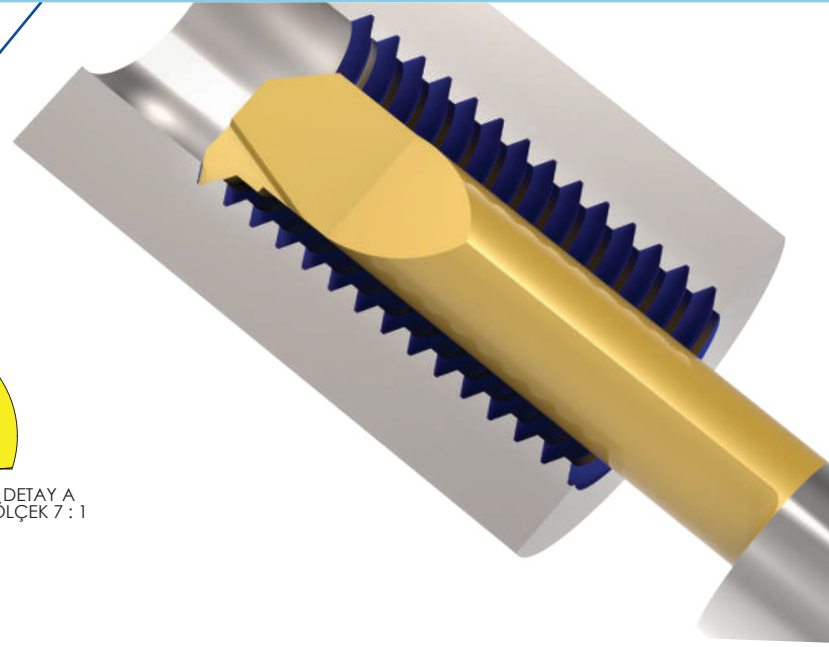
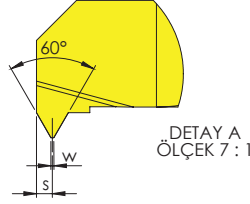
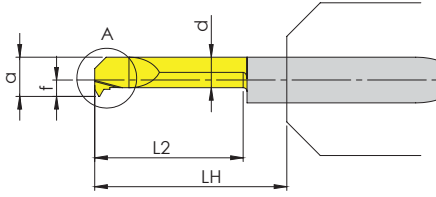
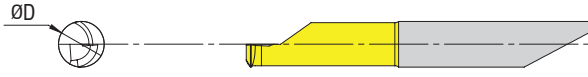
KANAL AÇMA MİNİ CUT TAKIMLAR
MINI CUT GROOVING / MINI CUT NUTENSTECHEN



Ürün Kodu Product Code Artikelnummer	Takım Ölçüleri (mm) Dimension (mm) Abmessung (mm)									
	W	L2	Ødmin	R	a	d	f	LH	tmax	ØD
VPG04.100.152.R050	1.0	15.2	4.2	0.5	3.95	2.95	1.95	18.0	0.8	4
VPG04.117.152.R0585	1.17	15.2	4.2	0.585	3.95	2.95	1.95	18.0	0.8	4
VPG05.100.203.R050	1.0	20.3	5.2	0.5	4.95	3.75	2.45	23.0	1.0	5
VPG05.117.203.R0585	1.17	20.3	5.2	0.585	4.95	3.75	2.45	23.0	1.0	5
VPG05.150.203.R075	1.5	20.3	5.2	0.75	4.95	3.75	2.45	23.0	1.0	5
VPG05.1574.203.R0787	1.574	20.3	5.2	0.787	4.95	3.75	2.45	23.0	1.0	5
VPG05.1626.203.R0813	1.626	20.3	5.2	0.813	4.95	3.75	2.45	23.0	1.0	5
VPG05.198.203.R099	1.98	20.3	5.2	0.99	4.95	3.75	2.45	23.0	1.0	5
VPG05.200.203.R100	2.0	20.3	5.2	1.0	4.95	3.75	2.45	23.0	1.0	5
VPG06.100.254.R050	1.0	25.4	6.2	0.5	5.95	3.95	2.95	28.0	1.8	6
VPG06.117.254.R0585	1.17	25.4	6.2	0.585	5.95	3.95	2.95	28.0	1.8	6
VPG06.150.254.R075	1.5	25.4	6.2	0.75	5.95	3.95	2.95	28.0	1.8	6
VPG06.1574.254.R0787	1.574	25.4	6.2	0.787	5.95	3.95	2.95	28.0	1.8	6
VPG06.1626.254.R0813	1.626	25.4	6.2	0.813	5.95	3.95	2.95	28.0	1.8	6
VPG06.198.254.R099	1.98	25.4	6.2	0.99	5.95	3.95	2.95	28.0	1.8	6
VPG06.200.203.R100	2.0	20.3	6.2	1.0	5.95	3.95	2.95	23.0	1.8	6
VPG06.200.254.R100	2.0	25.4	6.2	1.0	5.95	3.95	2.95	28.0	1.8	6
VPG07.100.305.R050	1.0	30.5	7.2	0.5	6.95	4.25	3.45	33.0	2.5	7
VPG07.117.305.R0585	1.17	30.5	7.2	0.585	6.95	4.25	3.45	33.0	2.5	7
VPG07.150.305.R075	1.5	30.5	7.2	0.75	6.95	4.25	3.45	33.0	2.5	7
VPG07.1574.305.R0787	1.574	30.5	7.2	0.787	6.95	4.25	3.45	33.0	2.5	7
VPG07.1626.305.R0813	1.626	30.5	7.2	0.813	6.95	4.25	3.45	33.0	2.5	7
VPG07.198.305.R099	1.98	30.5	7.2	0.99	6.95	4.25	3.45	33.0	2.5	7
VPG07.200.305.R100	2.0	30.5	7.2	1.0	6.95	4.25	3.45	33.0	2.5	7

Sipariş Örneği/Ordering Example/Bestellbeispiel
1 ad./pcs./stück VPG04.100.152.R050

DIŞ ÇEKME MINI CUT TAKIMLAR
MINI CUT THREADING / MINI CUT GEWINDEN



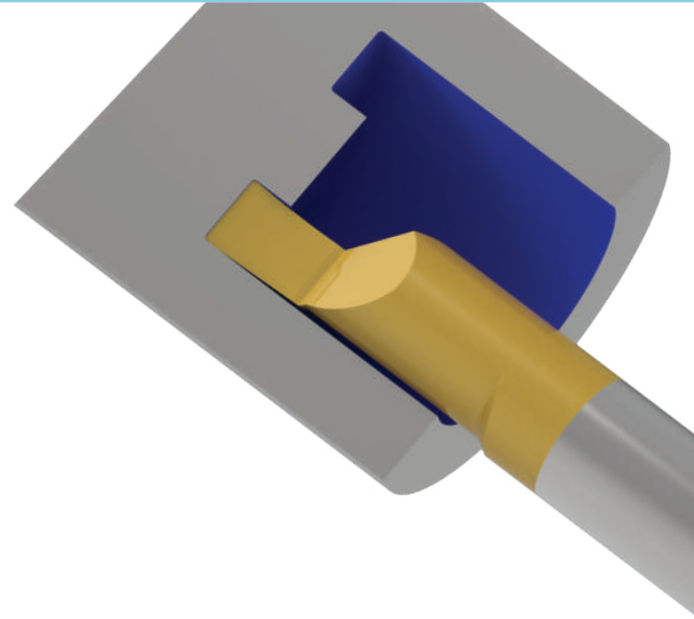
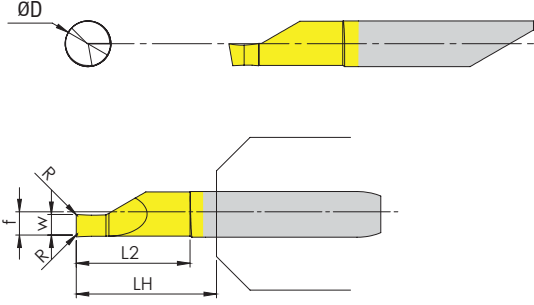
Ürün Kodu
Product Code
Artikelnummer

Takım Ölçüleri (mm)
Dimension (mm)
Abmessung (mm)

	PITCH		L2	ØDmin	a	d	f	LH	S	tmax	w	ØD
	min	max										
VPT04.152.080	0.8	1.0	15.2	4.2	3.65	2.7	1.95	18.0	0.45	0.46	0.1	4
VPT04.152.050	0.5	0.7	15.2	4.2	3.95	2.95	1.95	18.0	0.35	0.4	0.06	4
VPT05.152.100	1.0	1.25	15.2	4.8	4.55	3.55	2.25	18.0	0.55	0.7	0.12	5
VPT05.203.100	1.0	1.25	20.3	4.8	4.55	3.55	2.25	23.0	0.55	0.7	0.12	5
VPT05.254.100	1.0	1.25	25.4	4.8	4.55	3.55	2.25	28.0	0.55	0.7	0.12	5
VPT05.152.075	0.75	1.0	15.2	5.2	4.85	3.65	2.40	18.0	0.45	0.57	0.09	5
VPT05.152.050	0.5	0.75	15.2	5.2	4.95	3.75	2.45	18.0	0.35	0.43	0.06	5
VPT06.152.100	1.0	1.25	15.2	6.2	5.95	3.95	2.95	18.0	0.55	0.7	0.12	6
VPT06.152.125	1.25	1.5	15.2	6.2	5.95	3.95	2.95	18.0	0.75	0.84	0.16	6
VPT06.203.125	1.25	1.5	20.3	6.2	5.95	3.95	2.95	23.0	0.75	0.84	0.16	6
VPT06.254.125	1.25	1.5	25.4	6.2	5.95	3.95	2.95	28.0	0.75	0.84	0.16	6
VPT06.152.150	1.5	1.75	15.2	6.2	5.95	3.95	2.95	18.0	0.8	0.98	0.18	6
VPT06.203.150	1.5	1.75	20.3	6.2	5.95	3.95	2.95	23.0	0.8	0.98	0.18	6
VPT06.203.175	1.75	2.0	20.3	6.2	5.95	3.95	2.95	23.0	1.0	1.18	0.25	6

Sipariş Örneği/Ordering Example/Bestellbeispiel
1 ad./pcs./stück VPT.04.152.080

ALIN KANAL AÇMA MİNİ CUT TAKIMLAR
MINI CUT FACE GROOVING / MINI CUT AXIALSTECHEN



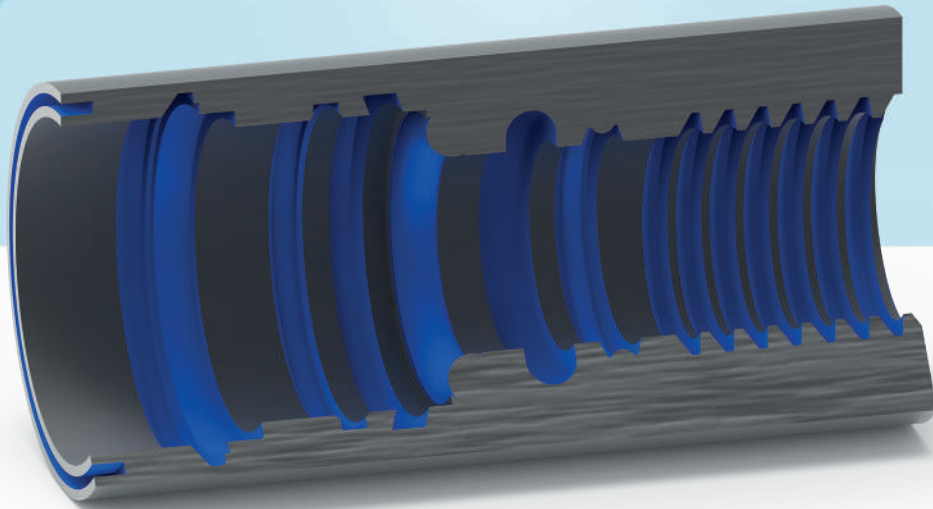
Ürün Kodu
Product Code
Artikelnummer

Takım Ölçüleri (mm)
Dimension (mm)
Abmessung (mm)

	W	L2	Ødmin	R	f	LH	tmax	ØD
VPFG06.152.0787.R005	0.787	15.2	6.2	0.05	2.95	18.0	1.8	6
VPFG06.152.1000.R005	1.0	15.2	6.2	0.05	2.95	18.0	2.0	6
VPFG06.152.1500.R005	1.5	15.2	6.2	0.05	2.95	18.0	3.0	6
VPFG06.152.1000.R015	1.0	15.2	6.2	0.15	2.95	18.0	2.0	6
VPFG06.152.1168.R015	1.168	15.2	6.2	0.15	2.95	18.0	2.34	6
VPFG06.152.1500.R015	1.5	15.2	6.2	0.15	2.95	18.0	3.0	6
VPFG06.152.1575.R015	1.575	15.2	6.2	0.15	2.95	18.0	3.15	6
VPFG06.152.1981.R015	1.981	15.2	6.2	0.15	2.95	18.0	3.95	6
VPFG06.152.2000.R015	2.0	15.2	6.2	0.15	2.95	18.0	4.0	6
VPFG06.152.2388.R015	2.388	15.2	6.2	0.15	2.95	18.0	5.0	6
VPFG06.152.2500.R015	2.5	15.2	6.2	0.15	2.95	18.0	5.0	6
VPFG06.152.3000.R015	3.0	15.2	6.2	0.15	2.95	18.0	6.0	6
VPFG06.152.3175.R015	3.175	15.2	6.2	0.15	2.95	18.0	6.0	6

Sipariş Örneği/Ordering Example/Bestellbeispiel
1 ad./pcs./stück VPFG06.152.0787.R005

SPECIAL MINI CUT TOOLS



MINI CUT TAKIMLARI BİLGİ ALMA FORMU
 INFORMATION REQUEST FORM FOR MINI CUT TOOLS
 INFORMATIONSFÖRMULAR FÜR MINI CUT WERKZEUGE

TOOL TYPE		TOOL DIMENSIONS				
		ØD	ØDmin	L	RE	TMAX
BORING	<input type="checkbox"/>					
GROOVING	<input type="checkbox"/>				RE - R1,R2	W TMAX
FACE GROOVING	<input type="checkbox"/>				RE - R1,R2	W TMAX
THREADING	<input type="checkbox"/>				CHOOSE THREADING TYPE	
					METRIC <input type="checkbox"/>	NPT <input type="checkbox"/> UNF/UNC <input type="checkbox"/>
					TRAPEZOIDAL <input type="checkbox"/>	WHITWORTH <input type="checkbox"/> ACME <input type="checkbox"/>